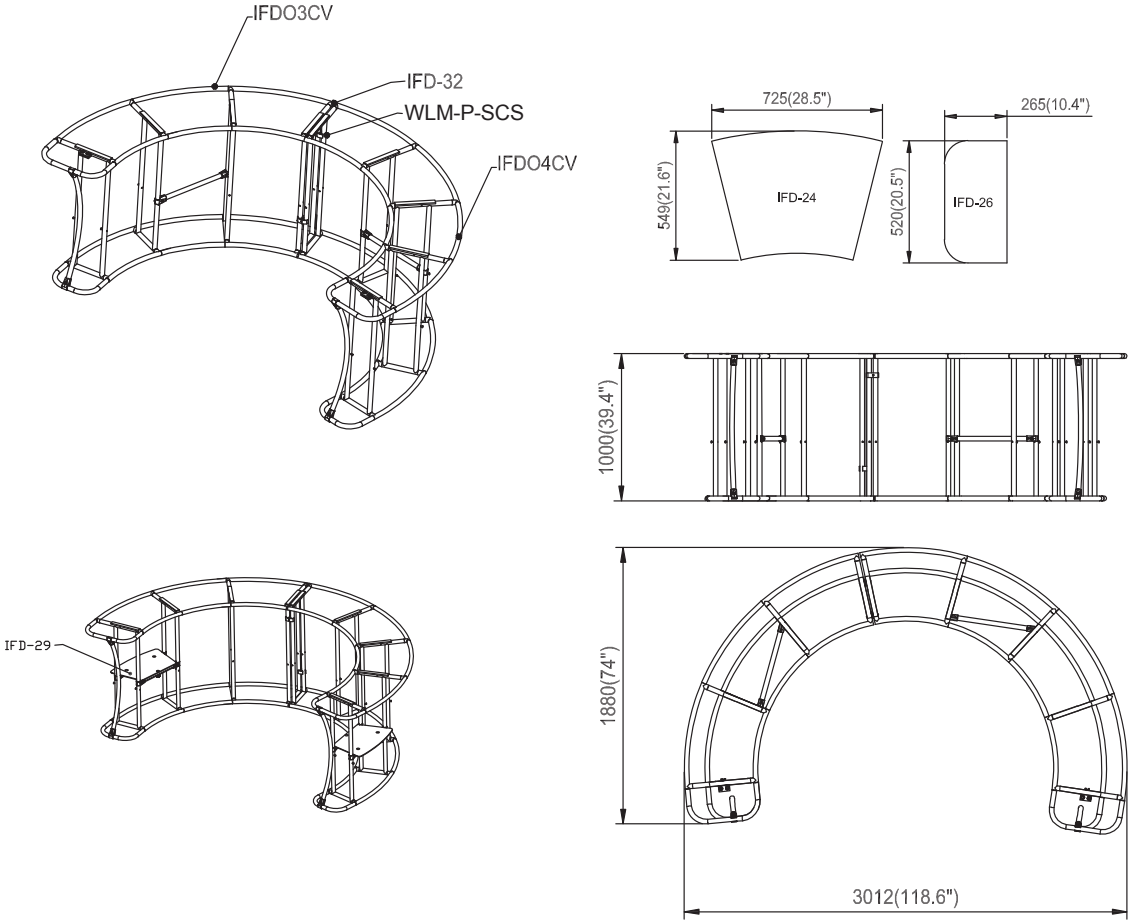


IFD-H-07CO



Hardware										Countertop			Graphics		Accessories			Shipping Case		
No.	Quantity	Confirm	No.	Quantity	Confirm	No.	Quantity	Confirm	No.	Quantity	Confirm	No.	Quantity	Confirm	No.	Quantity	Confirm	No.	Quantity	Confirm
IFD03CV	1											Yes / No		Single or Double-sided	IFD-29	2		CA900		
IFD04CV	1											IFD-24	7	None				CA500		
WLM-P-SCS	2											IFD-26	2	Complete				NYLON BAG		
IFD-32	4													Split-ship						

Set Up Instructions

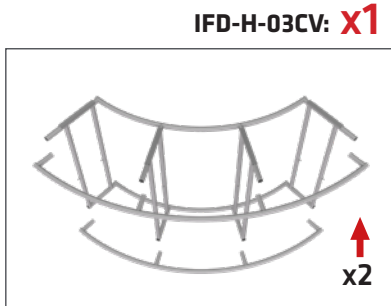
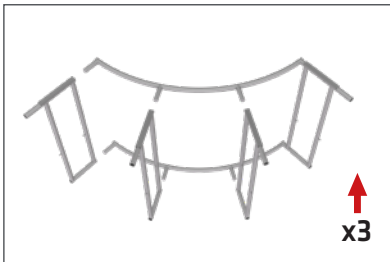
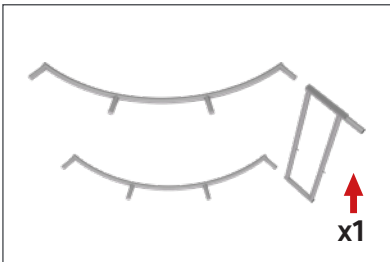
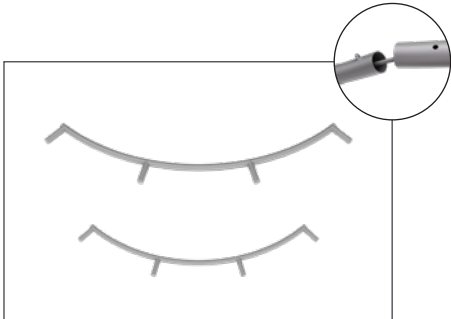
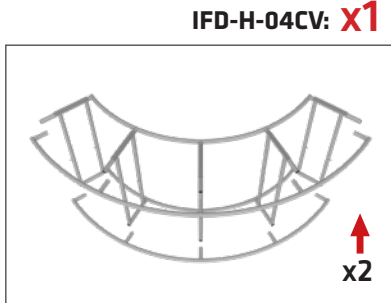
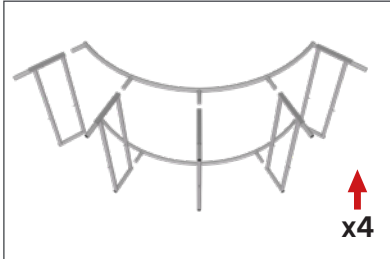
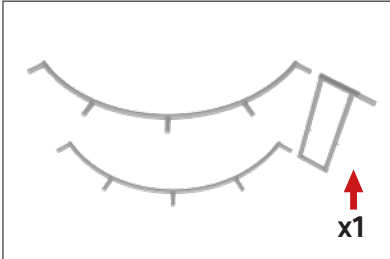
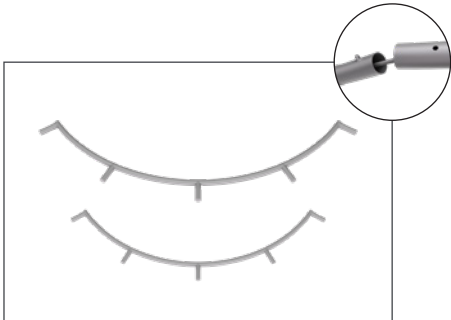
IFD-H-07CO

FRAME ASSEMBLY:

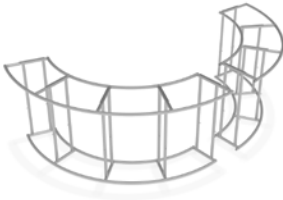
Assemble base parts and poles by pressing and pushing together.

***NOT ALL PARTS WILL BE USED:**

This counter is made from x3 full kits and not all parts will be needed to complete this design.



IFD-H-04CV

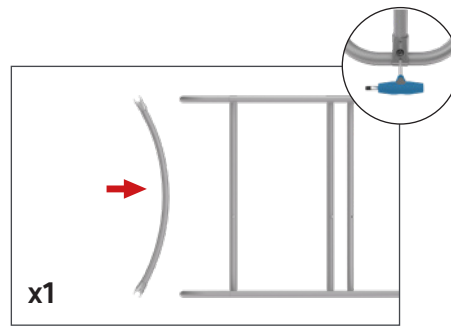
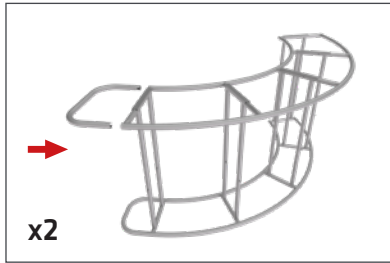


IFD-H-03CV

Set Up Instructions

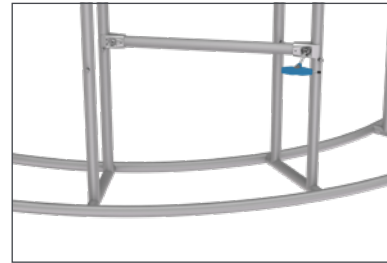
IFD-H-04CV:

Assemble x1 end cap on left side only. Use hand tool when shown.



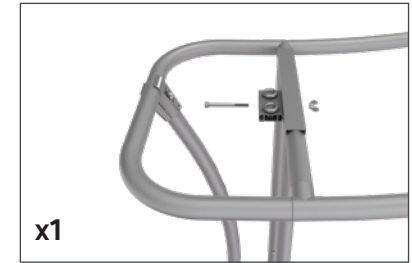
CROSSBAR SUPPORT:

Attach across second opening from the left.



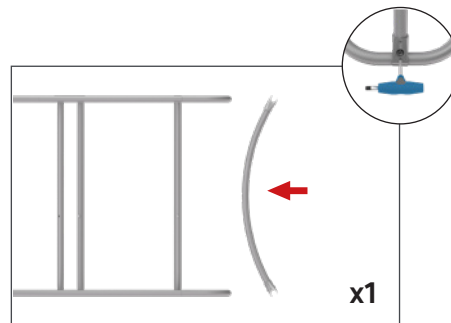
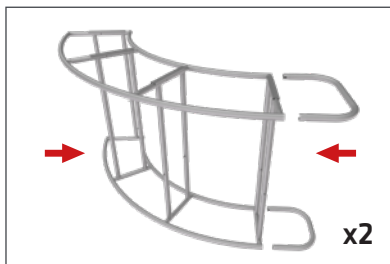
COUNTER TOP SUPPORT:

For leveling end cap counter top.

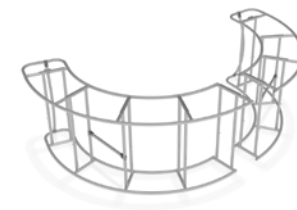


IFD-H-03CV:

Assemble x1 end cap on left side only. Use hand tool when shown.



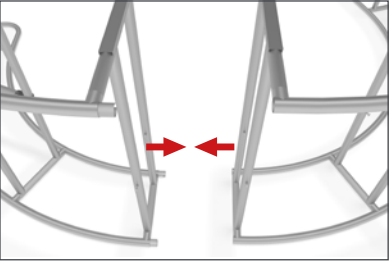
IFD-H-04CV



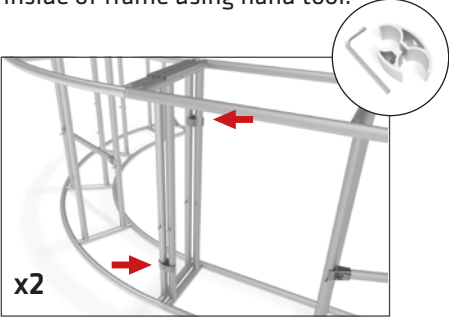
IFD-H-03CV

Set Up Instructions

CONNECT FRAMES TOGETHER:
Connect x3 frames together with x2 butterfly clips (WLM-P-SCS) per



frame connection. Attach one clip to outside of frames and one clip to inside of frame using hand tool.

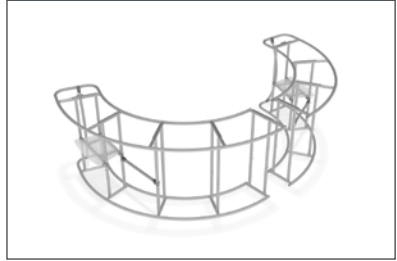


WLM-P-SCS

SHELVES:
(OPTIONAL) To add shelves to frame, position and level shelf on



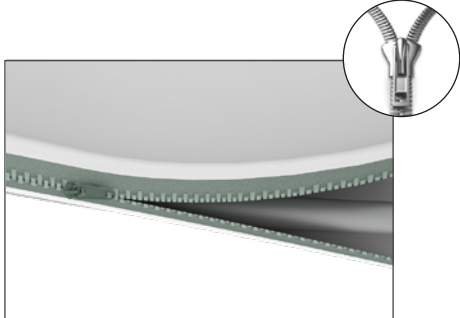
frame before tightening clamps down with hex tool.



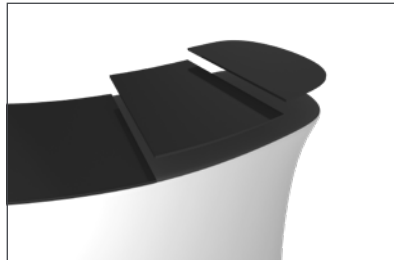
GRAPHIC INSTALL:
Step 1: Unzip print and slide print onto frame like a pillow case.



Step 2: Grip the fabric tightly and stretch around bottom of desk to pinch zipper into place. Zip the print together for taut finish.



Step 3: Attach countertop panels to fabric counter with Velcro. Start at one end and work your way across to the other side.



Step 4: Join counter top panels together front and back with black push-on clamps.

